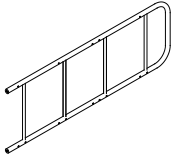
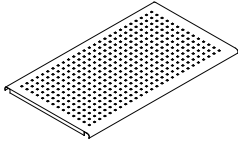
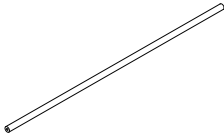
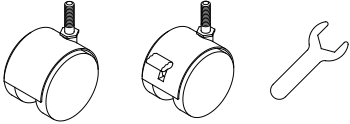
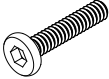
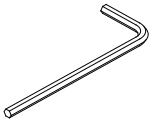


Installation Instruction

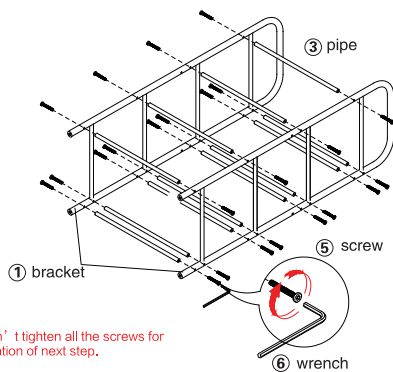
4 Tier Multifunction Kitchen Trolley

Accessories List ● Check all the accessories first before installation

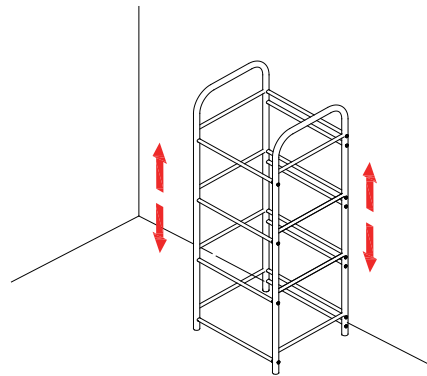
① bracket  2 pcs	② shelf  4 pcs	③ pipe  12 pcs
④ Wheels  no lock 2 pcs With lock 2 pcs	⑤ screw  25 pcs Containing 1 spare parts	⑥ wrench  1 pcs

Installation process

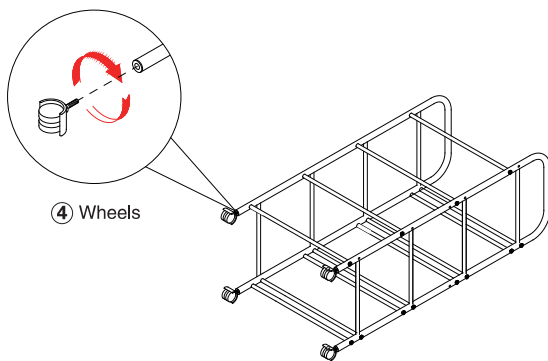
① Install all the pipes together with the brackets



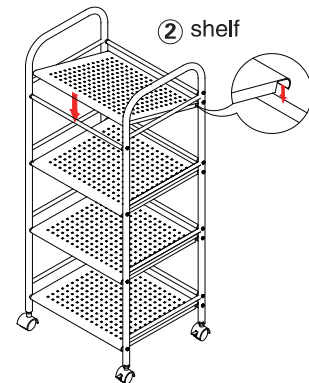
② Stand the rack and keep it balanced, then tighten the screws.



③ Install the wheels in the bottom of the tube.



④ Input the shelf onto the pipes



⑤ Finished.

