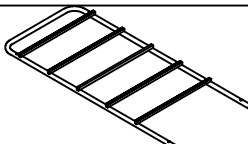
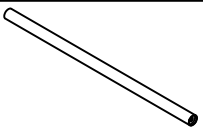
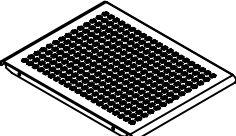
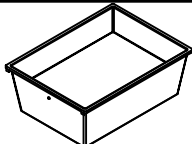




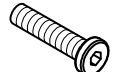



No.	Part	Pcs
A		2
B		4
C		1
D		5
E		5
F		5
G		4
H		4
I		8
J		1

