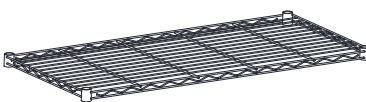
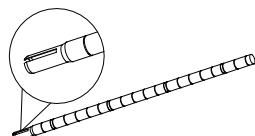
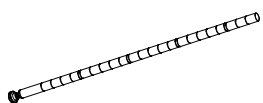

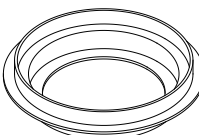


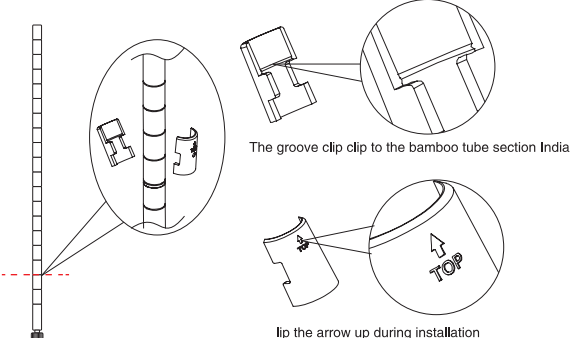
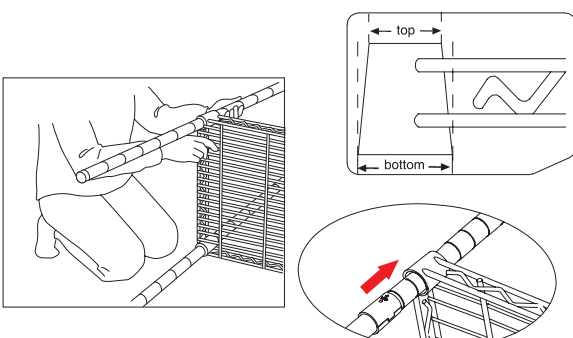
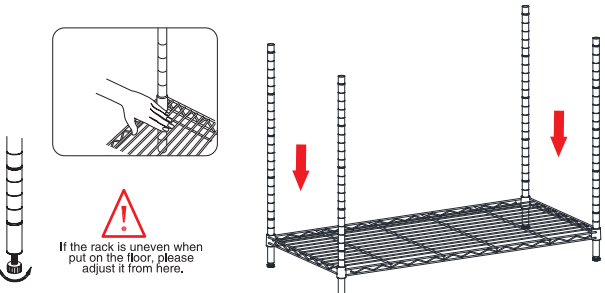
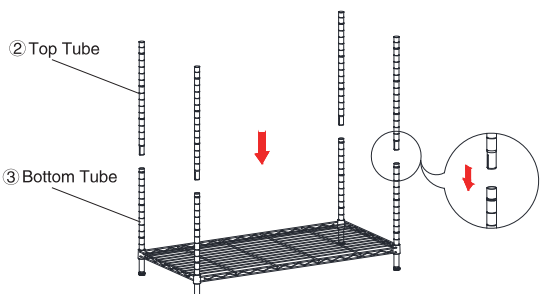
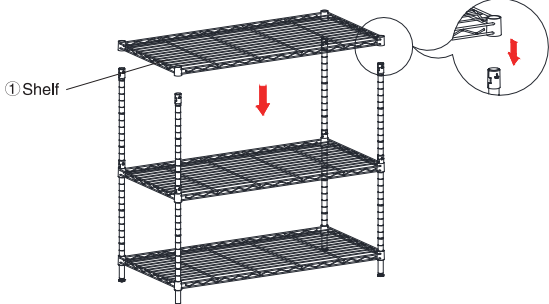
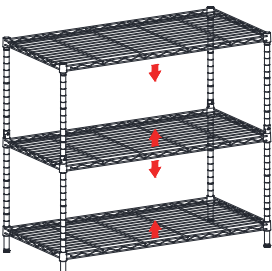
Installation Instruction

Carbon Steel 3-shelf rack

Accessories List ● Check all the accessories first before installation

① Shelf  3pcs	② Top Tube  4pcs	③ Bottom Tube  4pcs	
④ Clamping piece  26pcs Include 2 PCS for standby application	 <p style="color: red; font-size: small;">This part is only for protection when delivery only, don't need it when installation.</p>		

Installation process

① Put clamping pieces onto the marking groove location.  <p style="font-size: x-small;">The groove clip clip to the bamboo tube section India</p> <p style="font-size: x-small;">lip the arrow up during installation</p>	② Stack the cone tube's bottom of shelf into tubes which it is with clamping pieces to finish shelf installation. 
③ Use a hammer knock on shelf corners softly and make sure the shelf clamp tightly to clamp pieces, if the rack is uneven when put on the floor, please adjust the bottom adjustable pin to make sure it is flat.  <p style="font-size: x-small; color: red;">⚠ If the rack is uneven when put on the floor, please adjust it from here.</p>	④ Install top tubes accordingly. 
⑤ Install all the shelves according to step 3 	⑥ Finished.  <p style="color: red; font-size: small;">Installation Notes: Total is 8 PCS of Tube for this product, customer can adjust each shelf's installation location according to tube grooves freely.</p>