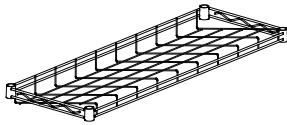
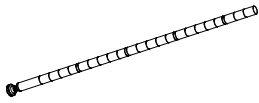
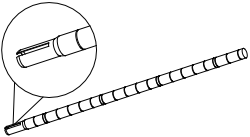
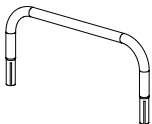




Installation Instruction

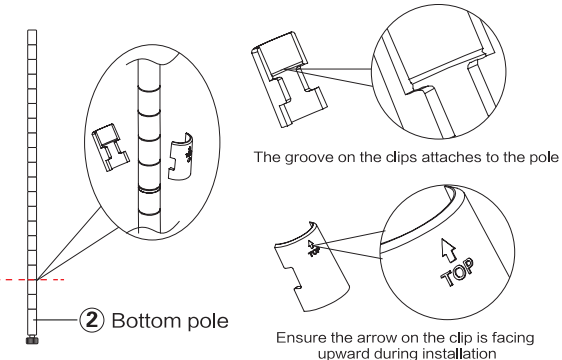
4 Tier Shoe Rack

Accessories List ● Check all the accessories first before installation

① Shelf 4PCS 	② Bottom pole 4PCS 	③ Middle pole 4PCS 
④ Bent pole 2PCS 	⑤ Plastic clip 34PCS  Include 2 PCS for standby application	⑥ PP sheet 4PCS 

Installation process

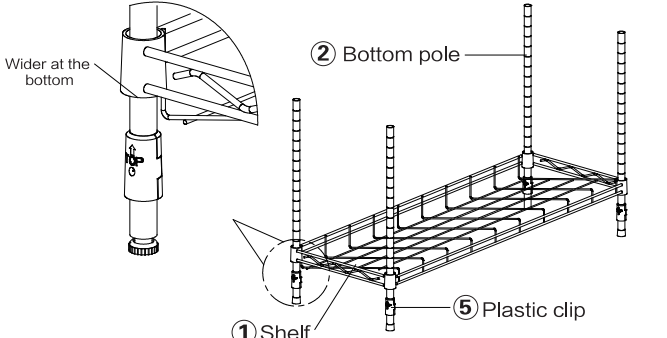
① Place the clips onto the marked groove locations.



The groove on the clips attaches to the pole

Ensure the arrow on the clip is facing upward during installation

② Put the first shelf to the bottom pole.



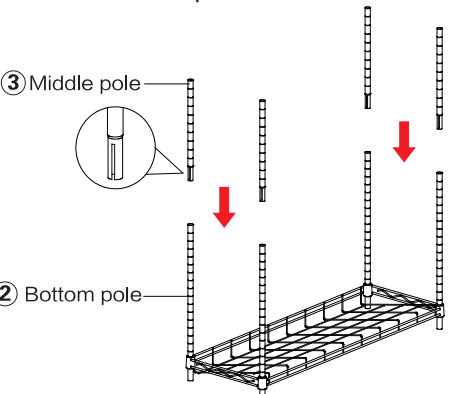
Wider at the bottom

② Bottom pole

① Shelf

⑤ Plastic clip

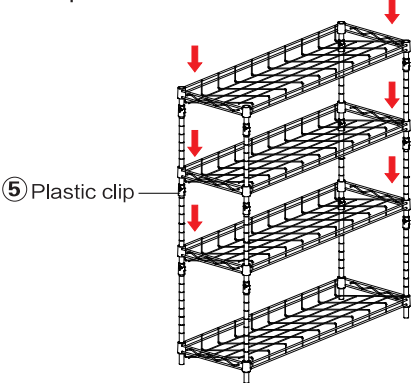
③ Put on the middle poles.



③ Middle pole

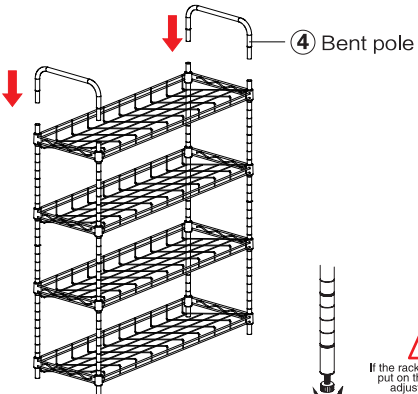
② Bottom pole

④ Repeat step 2.




⑤ Plastic clip

⑤ Put on the top bent pole.

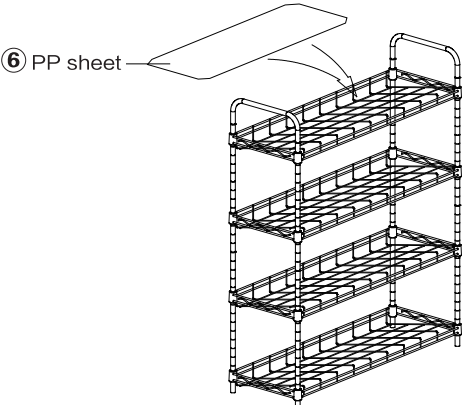


④ Bent pole



If the rack is uneven when put on the floor, please adjust it from here.

⑥ Put on the PP sheet.



⑥ PP sheet