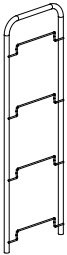
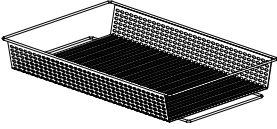
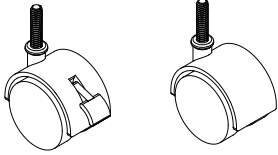
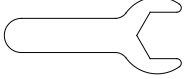


Installation Instruction

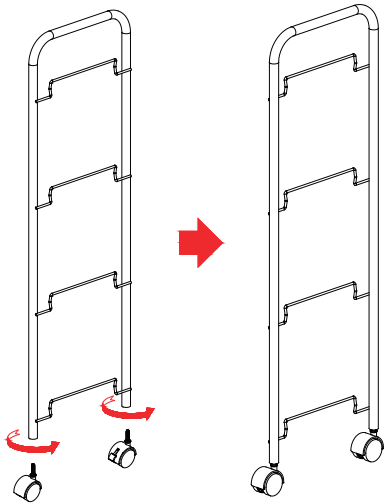
4 Tier Mesh Kitchen Trolley

Accessories List ● Check all the accessories first before installation

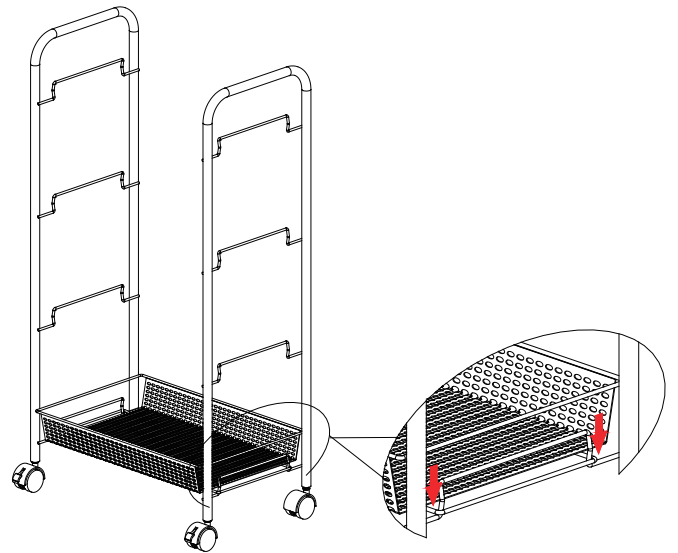
<p>Ⓐ Bracket 2PCS</p> 	<p>Ⓑ Basket 4PCS</p> 	<p>Ⓒ Wheel</p>  <p>With lock 2pcs no lock 2pcs</p>	<p>Ⓓ Wrench 1PC</p> 
---	--	---	---

Installation process

Step1: Install all wheels into the brackets by wrench;



Step2: Put on the basket as the picture;



Step3: Repeat step 2.

