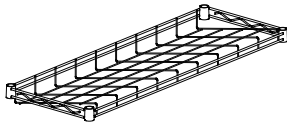
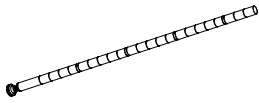
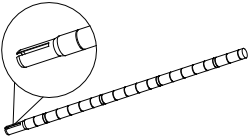
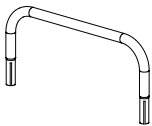




# Installation Instruction

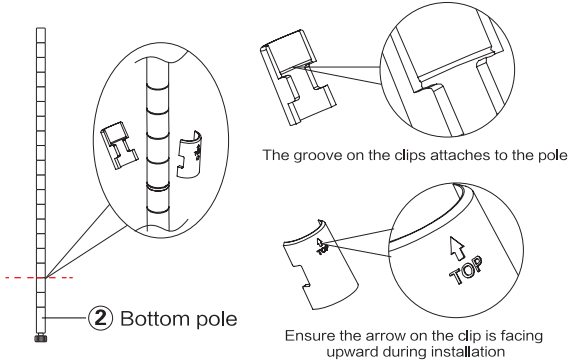
## 5 Tier Shoe Rack

### Accessories List ● Check all the accessories first before installation

<b>① Shelf</b> 5PCS 	<b>② Bottom pole</b> 4PCS 	<b>③ Middle pole</b> 4PCS 
<b>④ Bent pole</b> 2PCS 	<b>⑤ Plastic clip</b> 42PCS  Include 2 PCS for standby application	<b>⑥ PP sheet</b> 5PCS 

### Installation process

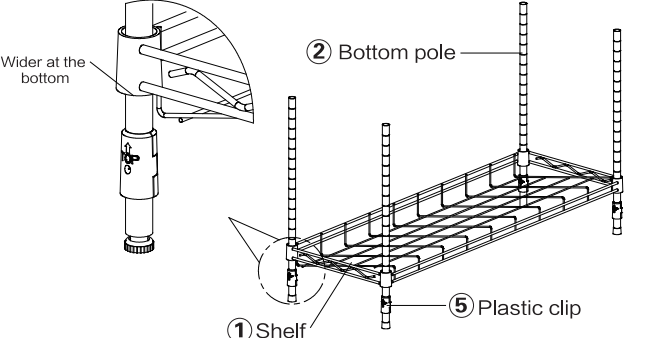
**① Place the clips onto the marked groove locations.**



The groove on the clips attaches to the pole

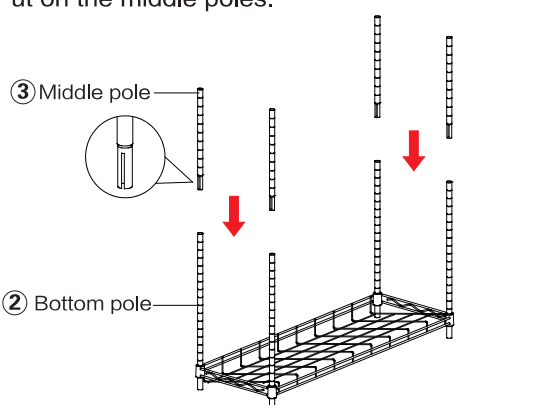
Ensure the arrow on the clip is facing upward during installation

**② Put the first shelf to the bottom pole.**

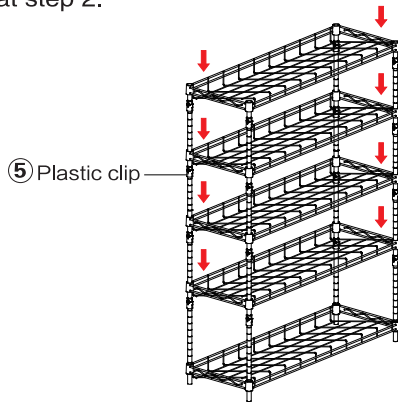


Wider at the bottom

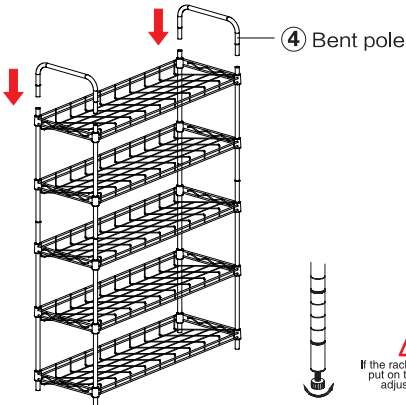
**③ Put on the middle poles.**




**④ Repeat step 2.**



**⑤ Put on the top bent pole.**



**④ Bent pole**



If the rack is uneven when put on the floor, please adjust it from here.

**⑥ Put on the PP sheet.**

