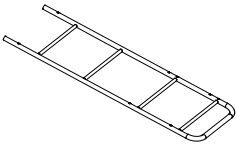
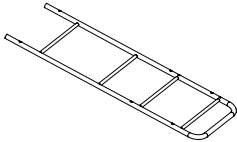
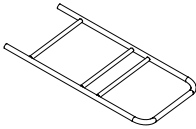
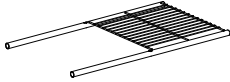
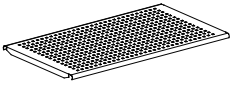

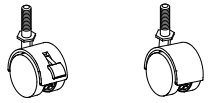

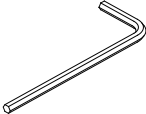



Installation Instruction

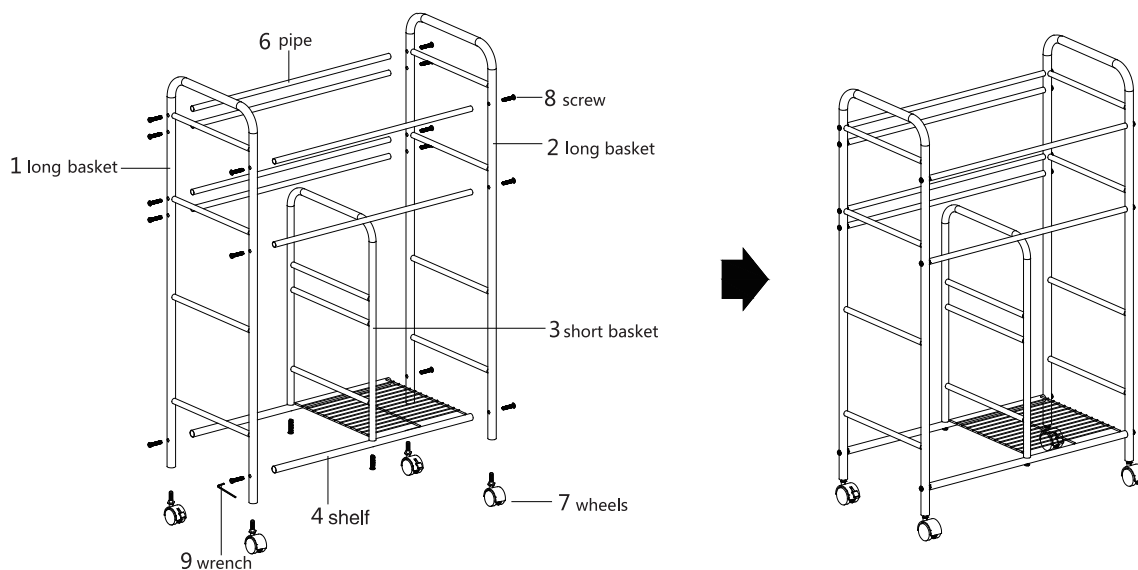
Multifunction Kitchen Storage Trolley

Accessories List ● Check all the accessories first before installation

1 long basket 1pc 	2 long basket 1pc 	3 short basket 1pc 	4 bottom shelf 1pc 	5 punching board 2pcs 
6 pipe 6pcs 	7 wheels 2pcs With lock 2pcs no lock 2pcs 	8 screw 18pcs 	9 wrench 1pc 	10 basket 3pcs 

Installation process

- 1 Spiral the wheels to the long brackets, then install the pipes, bottom shelf and short bracket to the long brackets.



- 2 Put on all the punching boards and baskets.

